

The background of the entire page is a photograph of a wall made of acoustic tiles. The top half of the image is overlaid with a semi-transparent green filter. The wall itself is composed of rectangular tiles with a textured, brick-like pattern. In the foreground, there is a large pile of grey, irregularly shaped rocks or gravel. The overall scene appears to be an outdoor or semi-outdoor construction site.

Durisol®

DURISOL.COM

PRECAST ACOUSTIC FACINGS PRODUCT GUIDE

ACOUSTIC FACING TILES FOR A MODULAR NOISE ABSORPTION
SOLUTION THAT ADDRESSES A RANGE OF NOISE MITIGATION
REQUIREMENTS

LIGHTWEIGHT

THERMAL INSULATION

NOISE ABSORPTION

MODULAR DESIGN

CUSTOM FINISHES



RAIL REHAB, BRAINTREE, MA

FEATURES

- Lightweight & versatile
- Noise absorption
- Thermally insulating
- Modular design
- Easy installation
- Custom colours & finishes

TYPICAL APPLICATIONS

- Commercial & Industrial Buildings
- Retrofit Applications
- Loading Areas
- Shooting Ranges
- Railways
- Roads & Highways

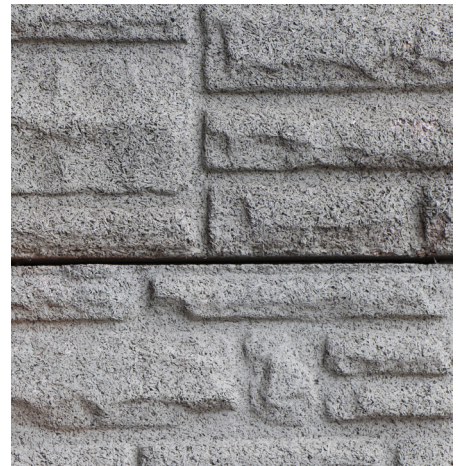
WHAT IS DURISOL®

Durisol® is the proprietary name of a durable, lightweight and cementitious/wood composition product. It is made of chemically neutralized and mineralized organic softwood shavings which are specially processed to an acoustically engineered size and are bonded together under pressure with Portland cement.

The material is sound-absorbent, non-combustible, vermin and rot proof. Durisol is self-draining and highly resistant to weather exposure including: freeze-thaw, road de-icing chemicals and fungicides.

All Durisol noise barrier systems are engineered in-house, specifying the size for posts and the depth and diameter of footings. Standard steel posts or optional concrete posts can be accommodated.

Durisol Precast Acoustic Facings are available in the same range of existing Durisol standard colors and finishes. Custom colors and finishes also available.



STANDARD COLORS



1004B NATURAL



1082D TAN



1538B GREY



02589 TAN



09187 GREY



11988 BROWN

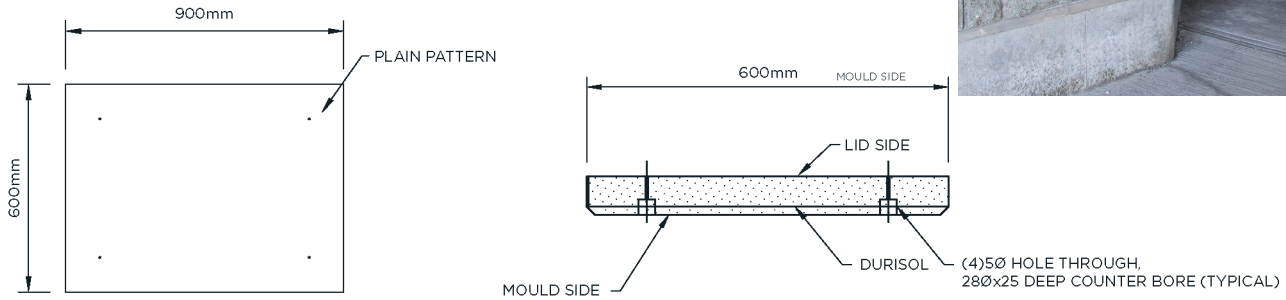
*This palette serves as a guide only; Durisol's real-life texture will offer a variance in color. Color appearance also varies depending on time-of-day, light reflectance, etc.

DURISOL PRECAST ACOUSTIC FACINGS

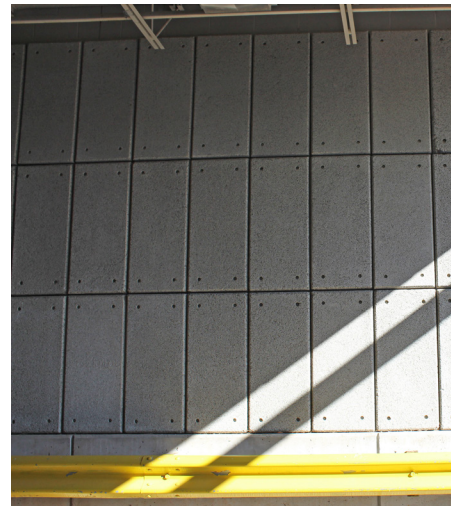
Durisol precast acoustic facing tiles provide a modular noise absorption solution to a wide variety of acoustic applications. From noisy loading dock areas to courtyards or other parallel building zones, the tiles offer complete versatility in that they can be attached to any existing flat wall surface, making them ideal for retrofit applications as well as new construction.

PANEL DETAILS

Typical application showing our standard size: 600x900mm panel



WALMART LOADING AREA,
MARKHAM, ON



Drawings and product details are for information and/or illustrative purposes only, and may vary.
Please contact your local Durisol representative for the most current product information.



Durisol® is the market leader in the noise barrier wall industry. We manufacture and supply a series of unique panel and post wall systems - including our Durisol® precast sound absorption panels and transparent ACRYLITE® Soundstop sheets, as well as narrow footprint retaining walls and fire-rated barriers. Our first noise barriers were installed in Canada in 1977 and in the US in 1986 and are all still in service today. With over 40+ million square feet of wall installed to date, Durisol® noise barriers stop the noise of industrial warehouses, utility enclosure sites and urban infrastructure of all kinds right across North America.

CANADA: 289-975-4402 | U.S.A.: 909-615-2037 | DURISOL.COM